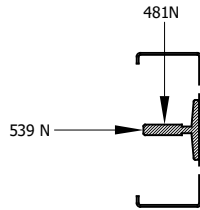
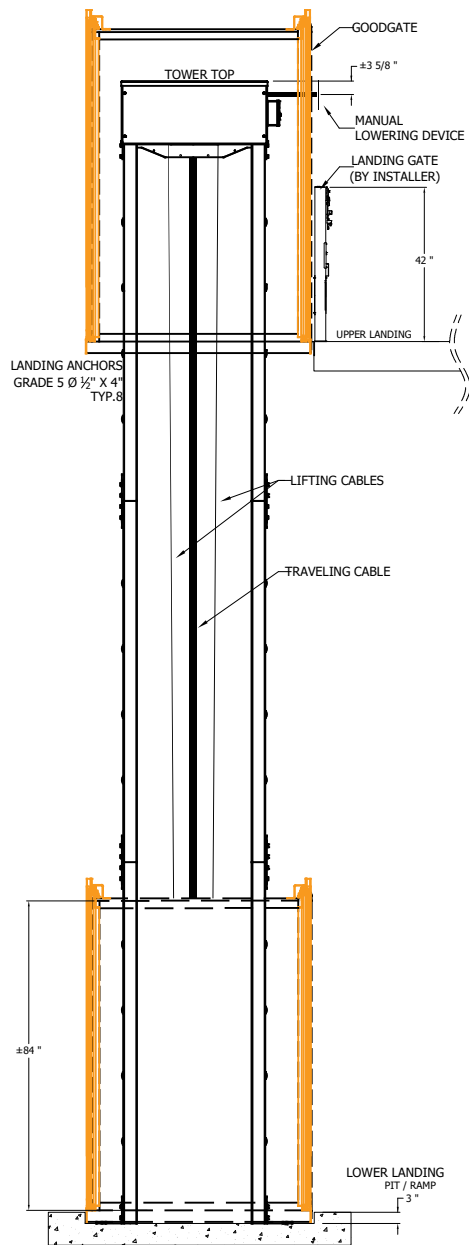


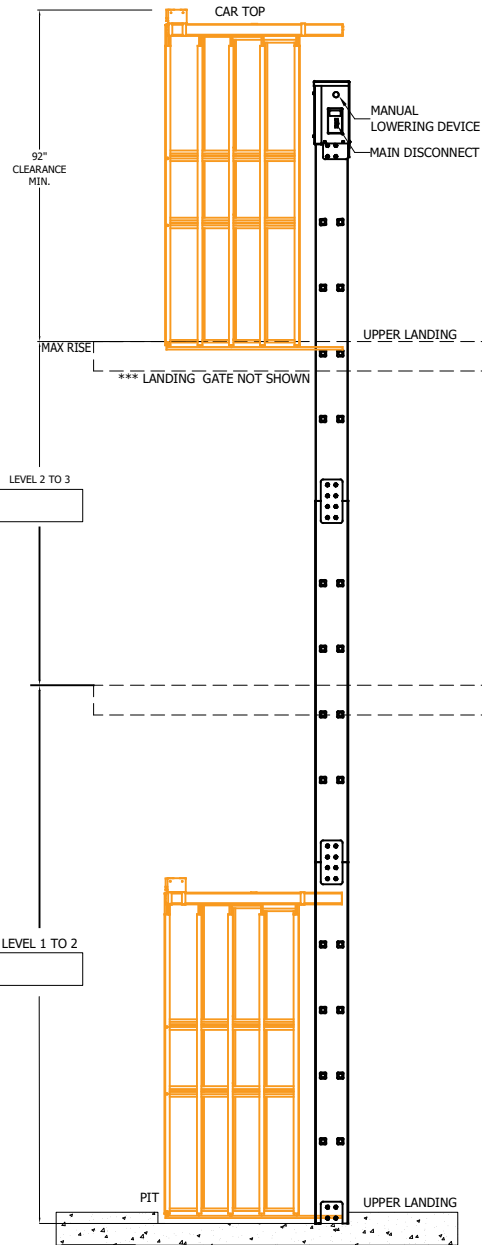
TOP VIEW



LOADS ON GUIDE RAILS

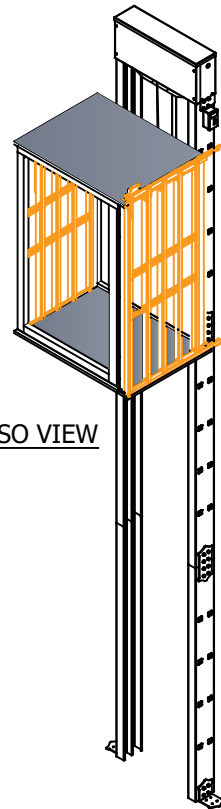


DETAIL A



DETAIL B

- NOTE**
1. EX-130. PLATFORM.
 2. INSTALL 1 LIGHTING FIXTURE AND SWITCH AT EACH LANDING, AS NEAR AS POSSIBLE TO THE LANDING DOOR OR GATE (BY ELECTRICIAN)
 3. ROUT A 120VAC 15A/1Ø/1N/1GND (1 BLACK+1 WHITE(NEUTRAL)+1 GND) LEAD WIRES FOR THE CONTROLLER SUPPLY (BATTERY CHARGER) THE BREAKER PANEL TO THE MAIN DISCONNECT (BY ELECTRICIAN)
 4. PREPARE A 3" PIT MIN. THE PIT SHOULD MINIMALLY BE MADE OF 25MPa REINFORCED CONCRETE WITH 5% TO 8% AIR ENTRAINMENT (6X6, #9 WIRE MESH) OR OTHER ALTERNATIVE CONSTRUCTION APPROVED BY BUILDING'S STRUCTURAL ENGINEER.
 5. CONTRACTOR SHALL CONSULT A STRUCTURAL ENGINEER TO CONFIRM ANCHORING STRUCTURE ABILITY'S TO SUSTAIN THE ELEVATOR LOADS SHOWN ON DRAWING
 6. ALL WORK AND MATERIALS MUST COMPLY WITH ALL LOCAL LAWS AND REGULATIONS.
 7. CONFIRM WITH ARCHITECT AND OCCUPATIONAL THERAPIST IF SPECIFIC ADA RULES APPLIES TO THIS INSTALLATION.



ISO VIEW

PLATFORM EX-130 TECHNICAL SPEC	
TYPE	VERTICAL UNENCLOSED SHAFT
CODE	ASEM A18.1 (SECTION 5)
GUIDE RAILS	T88-B (8 IN)
MAX CAPACITY	2 PERSONS AND 1 WHEELCHAIR
MAX LOAD	800 LB (362 KG)
TRACTION MACHINE	LIFTING CABLES AND WINDING DRUM
MOTOR	24 VDC, 1HP
VELOCITY	23 ft/min (0.12m/s)
MAX TRAVEL	(247') CALL FOR LONGER TRAVEL
SAFETY GEAR	TYPE A SAFETY BRAKE SLACK CABLE OPERATED
CAB FINISHES	ALUMINUM & POLYCARBONATE
CAB	MAX. 36x54pp
FLOOR FINISH	ANTI SKID FINISH
COMMANDS	CONSTANT PRESSURE
ELECTRICAL APPURTUS	ASME A18.1 / A17.5 / NFPA 70 / ADA
DOOR INTERLOCK	ATLOCK (QAI E10695)
TRACTION CABLES	AIRCRAFT CABLES 2X (7*19) (Ø2") MILDTT 63420 7000LBS CAP

APPROVAL DRAWING	
CHOICE	APPROVED
(✓)	APPROVED AS NOTED
	RESUBMIT AS NOTED
SIGNATURE	DATE
SIGN AND RETURN	

ELEVATION
EX-130-ODE 36x54

AMERIGLIDE
5110 Atlantic Ave,
Raleigh, NC 27616
Tel: 1 (800) 790-1635

Tolerance:	Drafter:	Product:	Date:	Project name:	Page:
± 1/16"	M. Debusschere	EX-130-ODE			1/2